



# potente

## LEADER IN CHINA HIGH END LIGHT TRUCK MARKET



**JX103DC**  
GVW3800KG  
(4 wheeler)



**JX104DC**  
GVW5000KG  
(6 wheeler)

# JMC CREW CAB

VERSATILE LIGHT TRUCK  
THAT GO EXTRA MILE !!!

### HIGHLIGHTED FEATURES

### ENHANCED FEATURES FOR JX104DC

**5x FREE** service  
worth RM1,300  
(Labour, Parts, Lubricants)

**2.8L DIESEL** ENGINE  
JAPANESE TECHNOLOGY

**3 YEARS OR**  
100,000KM  
**WARRANTY**  
Whichever comes first

\* Terms and conditions apply



Large Compartment



Comfortable Cabin with  
Rear Foldable Seat



Extra Braking Efficiency with  
Exhaust Brake System



2.8L Euro II Turbo Engine

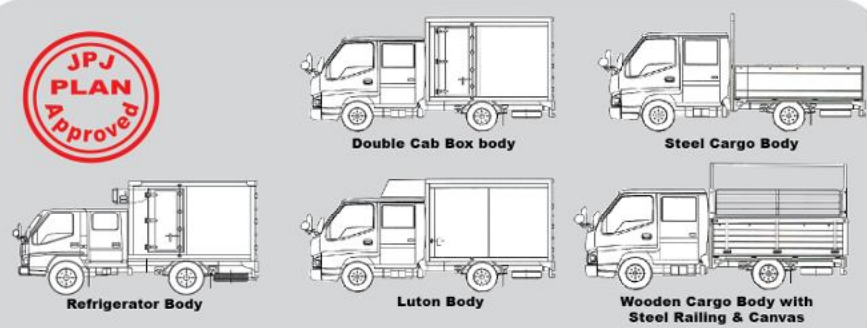
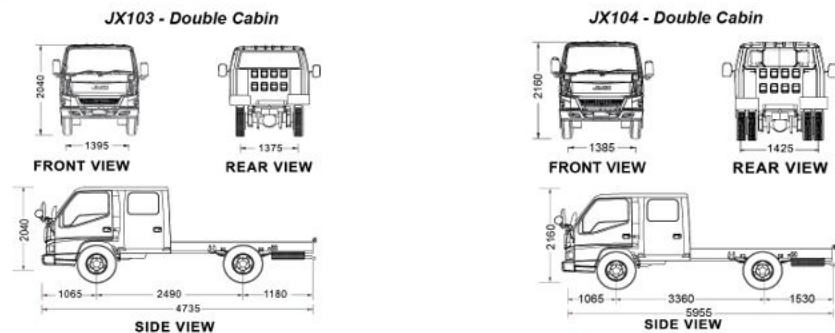

**POTENTE LIGHT TRUCK SPECIFICATIONS**

MODEL	JX 103	JX 104
TYPE	Double Cabin	Double Cabin
ENGINE		
Engine model	JX 493Q1	JX 493ZQ4A
Engine type	4 cylinders, water-cooled, direct injection, diesel	4 cylinders, water-cooled, direct injection, turbo OHC, diesel
Displacement (cc)	2771	2771
Emission standard	EURO-I	EURO-II
Fuel standard	Diesel	Diesel
Fuel tank capacity (L)	60	83
Max. output (kW(HP)/rpm)	57 (77)/3600	62 (84)/3200
Max. torque (Nm/rpm)	172/2000	210/2000

TECHNICAL DIMENSION		
Overall length x width x height (mm)	4735 x 1690 x 2040	5955 x 1880 x 2160
Wheelbase (mm)	2490	3360
Tread (front/rear) (mm)	1395/1375	1385/1425
Minimum ground clearance (mm)	185	190
Gross vehicle weight (kg)	3800	5000
Curb weight (kg)	1785	2400
Tire size	6.50-15-10PR	7.00R16-10PR

DRIVING SYSTEM		
Transmission type	Manual 5-speed	Manual 5-speed
Clutch	Single dry plate, hydraulic	Single dry plate, hydraulic diaphragm
Driving type	Front engine, rear drive	Front engine, rear drive
Brake type	Front drum, rear drum	Front drum, rear drum
Auxiliary Brake	-	Exhaust brake
Suspension Type (front/rear)	Semi-Elliptical Steel Leaf Spring and Double Acting Hydraulic Telescopic Shock Absorber	Semi-Elliptical Steel Leaf Spring and Double Acting Hydraulic Telescopic Shock Absorber

FEATURES & ACCESSORIES		
Audio	MP3 + radio	MP3 + radio
Center console panel	Black	Black
Rear view window	Manual single curvature	Manual single curvature
Cabin painting	White	White
Door handle	Black	Black
Passenger armrest	Fixed	Fixed
Adjustable steering wheel	/	/
Power steering	/	/
Air-conditioner	/	/
Remote control with central locking	/	/
Reverse buzzer	/	/
Alarm system	/	/

**DIMENSION (UNIT :MM)**


\* Please contact us for other type of body!!!

**SERVICE AND MAINTENANCE**

Mileage	Brand	JMC	OTHER	OTHER
1000KM-60,000KM		3346.8	3852.6	3592.6
65,000KM-120,000KM		3142.8	3636.4	3361.6
125,000KM-180,000KM		3322.8	3816.6	3626.4
185,000KM-240,000KM		3142.8	3636.4	3361.6
245,000KM-300,000KM		3322.8	3816.4	3606.4
		16278	18758.4	17548.6

\*Terms and conditions apply



**C.A.M**  
CONSISTENT | ACTIVE | MOBILE  
**CHINA AUTO MANUFACTURERS (M) SDN BHD**  
873986-A  
Sendok Group Building - Lot 1564, Batu 4, Jalan Kapar, 42100 Klang, Selangor Darul Ehsan, Malaysia  
Tel: + 603-3345 5600 Fax: + 603-3291 9658 Email: cam.info@macv.com.my Website: www.sendokgroup.com

Disclaimer: All features & specification shown in this brochure are subject to change without prior notice and may vary according to locality. The colour(s) of the vehicle(s) and the interior shown herein may slightly differ from actual vehicle.

Authorised Dealer: